

# L10SP

EN

## LAMINATING

### FOILING CALENDER



#### CHARACTERISTICS

- The diathermic oil of the lower cylinder is electrically heated by means of a central resistor, Monti Antonio Spa system
- Chrome plated lower cylinder
- Upper pressing cylinder made of a special material resisting to the high temperatures
- All movements are done by independent motors adjustable by means of PLC
- Two cooling roll in exit **optional**
- Opening dogal for foils films **optional**
- Dogal for knitted fabric management **optional**
- Possibility of study for custom made entries and exits

Mod. L10SP has been designed for the application of metallic foils and special effects such as: "paillettes", thermo transfer films, (e.g. snake skin, cracked effect, glossy effect, pull-up, etc.), foils pre-coated with glue, and microdots (brinatura effect, total or partial lamination) onto knitted and woven fabrics as well, as other substrates in continuous.

The technology used for these equipments, developed with many years of experience in supplying calenders for many applications, bases its know-how on the profound knowledge of electronic applied to various substrates finishing machines.

Mod. L10SP is equipped with a special pressing cylinder moved by two hydraulic pistons with adjustable pressure up to 70 kg/ linear cm.

Thanks to its construction this machine can be equipped with "felt group" optional, becoming a calender suitable for sublimation printing.

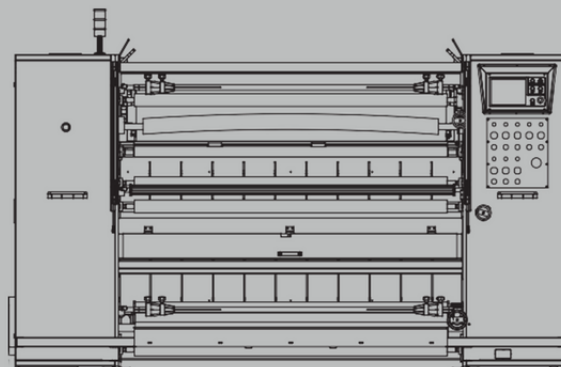
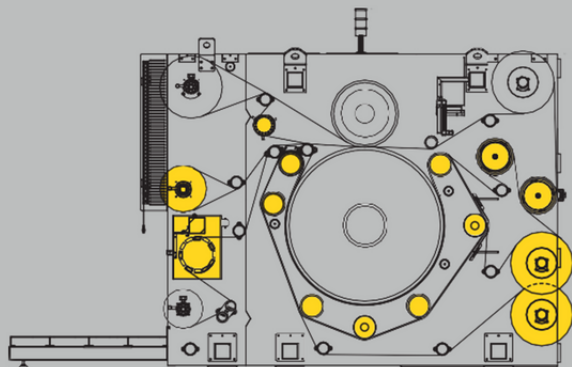
The upper pressing cylinder, adjustable, can be also used for:

- embossing by using release papers;
- thermobonding by using film / web;
- polyurethane, PVC and synthetic leather printing.

# TECHNICAL DATA

## L10SP

### LAMINATING



Cylinder width	mm	<b>2000</b> (78.74")
Working width	mm	1800 (70.87")
Heating cylinder diameter	mm	1000 (39.37")
Installed electric power	kW	78
Average consumption	kW/h	51
Mechanical speed	m/min	1 ÷ 20
Compressed air	bar	6 ÷ 8
Net weight	Kg	8560

**monti green**  
environment friendly solutions

**monti plus+**  
advanced technology

member of  
**ACIAIT**  
ITALIAN TEXTILE MACHINERY

ALL DATA AND TECHNICAL FEATURES ARE PURELY INDICATIVE, SUBJECTED TO CHANGES WITHOUT PRIOR NOTICE AND REFER TO STANDARD MACHINES WITHOUT OPTIONS. PICTURES SHOWN ARE STOCK IMAGES AND MAY INCLUDE OPTIONS NOT INCLUDED AS STANDARD.

I DATI E LE CARATTERISTICHE TECNICHE SONO PURAMENTE INDICATIVI, SOGGETTI A VARIAZIONE SENZA OBBLIGO DI PREAVVISO E RELATIVI A MACCHINE SENZA OPTIONAL. LE FOTO INSERITE SONO IMMAGINI A STOCK E POSSONO INCLUDERE OPTIONAL NON COMPRESI DI SERIE.

©2022 Monti Antonio S.p.A.  
All rights reserved

 **MONTI ANTONIO®**  
STANDARD & CUSTOM HEATING SOLUTIONS

INNOVATION  
SPEED  
FLEXIBILITY  
PROJECT&DESIGN  
INSTALLATION AND ASSISTANCE

Monti Antonio S.p.A.  
Head Office: via dell'Elettronica n°5, 36016 Thiene (VI) Italy  
Operation and Administration: via della Fisica n°6, 36016 Thiene (VI) Italy  
T. +39 0445 364619 +39 0445 364707 - sales@montiantonio.com  
[www.montiantonio.com](http://www.montiantonio.com)